



## Laitex rotary valves



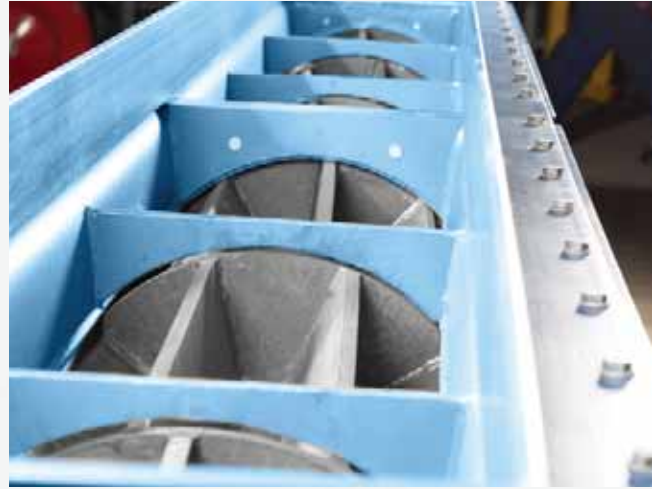




## Laitex Oy

Founded in 1986, Laitex Oy has three decades of experience in undertaking demanding material handling projects in cooperation with our industrial clients. We supply our equipment and systems to all continents.

Excellent references and repeating orders from global market leaders reflect the operational supremacy of our products. We develop our operations and know-how constantly, based on customer needs. The high quality of our operations is guaranteed by the ISO 9001 and ISO3834-2 certified quality systems.



# Why choose Laitex rotary valves?

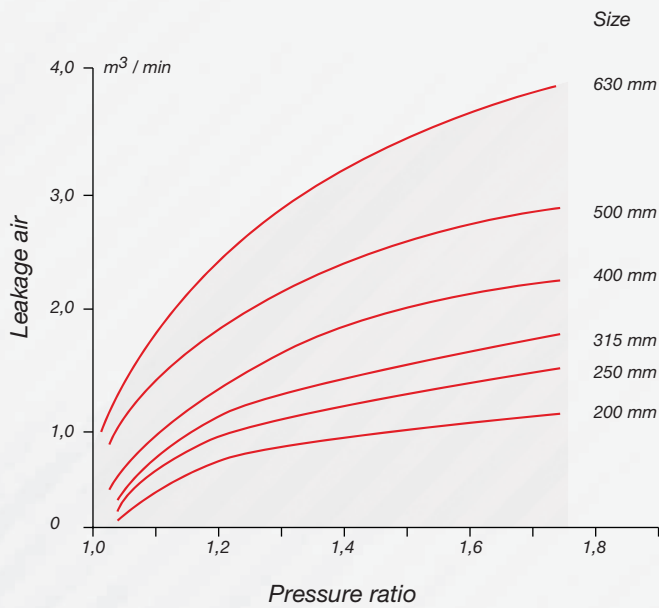
Laitex rotary valves are made of high-quality and durable materials and are designed for heavy-duty use. All our products are the outcome of long-ranging experience and patient development. We are familiar with our clients' processes, thus guaranteeing just the right rotary valve for each application.

The life cycle and servicing costs of Laitex rotary valves are among the lowest in the sector, despite the severity of the conditions the products must withstand. Laitex offers excellent provision of servicing and spare parts, thanks to the modularity and product management of our products.

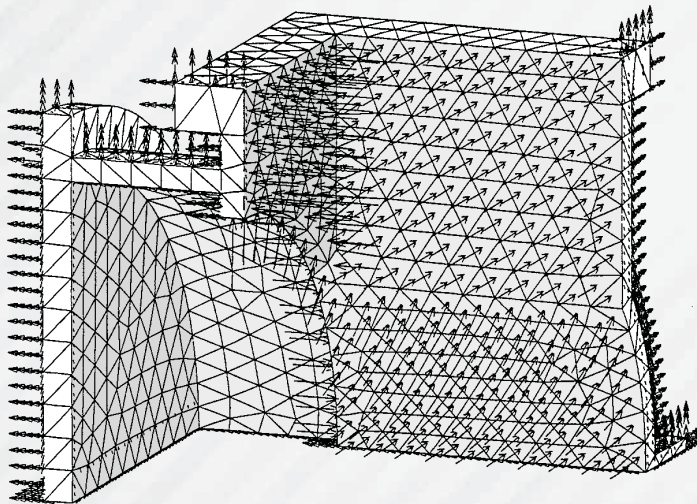
## Our rotary valve solutions include

- Solid fuel feed systems
- Ash handling
- Power generation and soda recovery boilers
- Electrical filters
- Other filters
- Wood processing
- Cement and lime manufacturing
- Chemical industry
- Industrial minerals
- Sand handling
- Pneumatic conveying
- Systems with different pressure ranges
- Material dosing





*In pneumatic conveying and between systems of different pressure ranges, the tightness of the valve is of vital importance. In Laitex rotary valves, the volume of leakage air is minimized.*



*The latest dimensioning and calculation methods are always used in the dimensioning of the valve housing. The resulting structure can endure great changes in pressure without any deviation in the clearance between rotor and housing. In standard valves, the housing is designed to withstand pressures of up to 0.6 MPa.*

## For demanding process use

The materials used in Laitex rotary valve structures have been selected to withstand the toughest conditions. In smaller rotary valves, the housing and end plates are most often made of grey cast iron (LSS 200 - LSS 500/400), whereas a welded steel structure is used in larger rotary valves. The rotors are most

commonly made of 400 HV wear-resistant steel.

Rotary valves can also be made of stainless or acid-resistant material if required by the process.

# Standard model LSS

## Uses

- Handling of powdery materials in demanding conditions
- Dosing and feeding of granular materials
- Pneumatic conveyance of powdery and pulverous materials

## Rotary valve includes

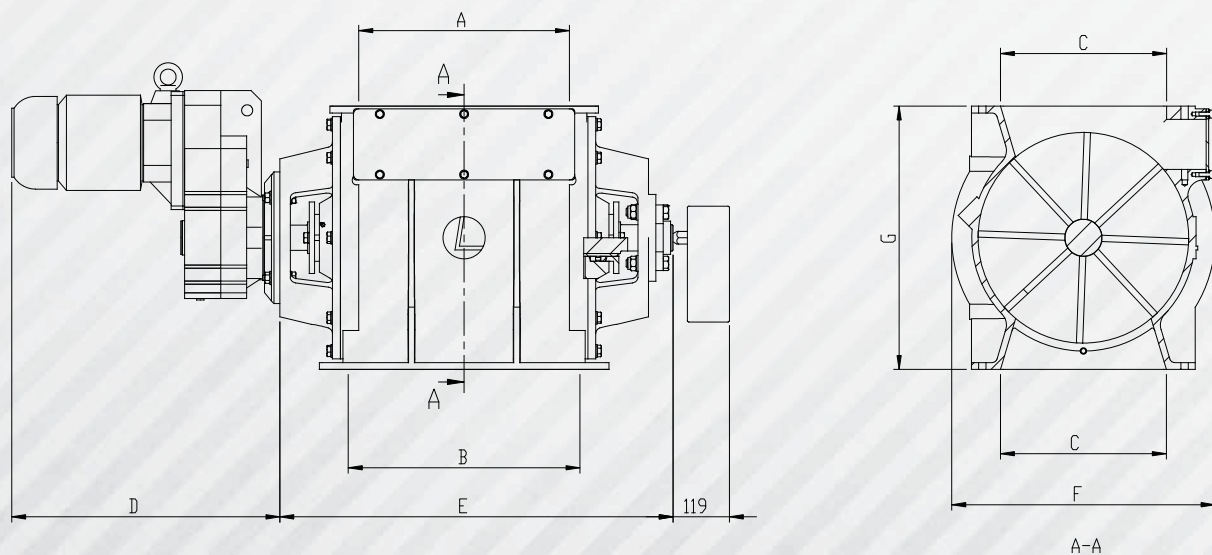
- Geared motor
- Stuffing box sealing, and
- Flanged bearing on the free end plate (from LSS 800 upwards, a spherical roller bearing)

## Optional features

- Hard chrome plated housing
- Stuffing box sealing with compressed air
- Hard surfacing of the rotor
- Cutting blade
- Separate sealing of the end plates
- LAITEX SC-10 zero speed switch with various sensor options

TYPE	A mm	B mm	C mm	D mm	E mm	F mm	G mm	Q m3/h	P Kw	kG
LSS 200	200	240	150	*	540	230	250	3	0,55	110
LSS 250	250	290	200	*	593	350	315	6	0,75	195
LSS 315	315	355	250	*	665	403	400	13	1,1	245
LSS 400	400	440	315	*	747	500	500	30	1,5	330
LSS 500/400	400	440	400	*	768	640	600	52	2,2	400
LSS 500	500	600	400	*	962	660	630	60	2,2	550
LSS 630	630	780	500	*	1139	815	800	130	4	850
LSS 800	800	940	630	*	1324	1019	1000	270	7,5	1300
LSS 1000	1000	1140	800	*	1557	1262	1250	530	11	2300
LSS 1200	1200	1340	1000	*	1757	1420	1400	910	18,5	4500

Capacity ratings: 50% filling, rotation speed 25 rpm. \* Depends on the gear type used



# Heavy model LSH

## Uses

- Demanding conditions with impact-type loading
- Solid fuel feeding
- Coarse stone material

## Rotary valve includes

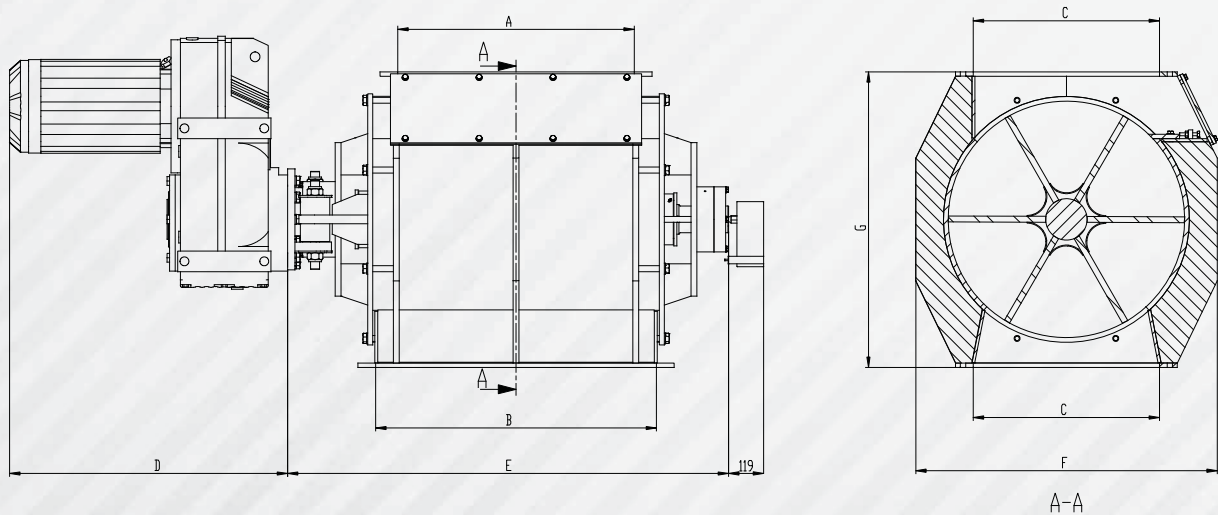
- Geared motor with elastic bushing
- Stuffing box sealing
- Spherical roller bearings on both the operating and free end.

## Optional features

- Hard chromium plated housing
- Stuffing box sealing with compressed air
- Hard surfacing of the rotor
- Cutting blade
- Separate sealing of the end plates
- Air cleaning of the rotor and the end plates
- LAITEX SC-10 zero speed switch with various sensor options

TYPE	A mm	B mm	C mm	D mm	E mm	F mm	G mm	Q m3/h	P Kw	Kg
LSH 500	500	600	400	*	1140	660	630	60	7,5	750
LSH 630	630	780	500	*	1355	815	800	130	15	1450
LSH 630/500	500	650	500	*	1215	815	800	100	11	1280
LSH 800	800	950	630	*	1492	1020	1000	270	18,5	2000
LSH 1000	1000	1225	800	*	1820	1200	1250	530	30	3250

Capacity ratings: 50% filling, rotation speed 25 rpm. \* Depends on the gear type used







# Customised special solutions

Our standard models include the renowned LSS and LSH models. We also manufacture customised solutions, tailored to meet each client's specific needs. In customised solutions, we take into account for example exceptional dimensioning of the rotary valve, special process requirements, and special features of the material to be handled in the planning and manufacture of the solution.

Contact us to find out more about the various surfacing options available for the housing and rotor of whichever application you are interested in.

## Examples of special solutions

- Housing extensions of up to four meters
- Exceptional dimensioning and location of connecting flanges
- Special surfacing
- Cooled housing and rotor
- Fixed rotor shaft for difficult-to-handle materials





 **LAITEX**  
CONVEYING SOLUTIONS

Laitex Oy  
Yhteistyönkatu 13  
FI-53300 Lappeenranta  
FINLAND

tel. +358 20 161 3300,  
fax. +358 20 161 3350  
sales@laitex.fi

[www.laitex.fi](http://www.laitex.fi)