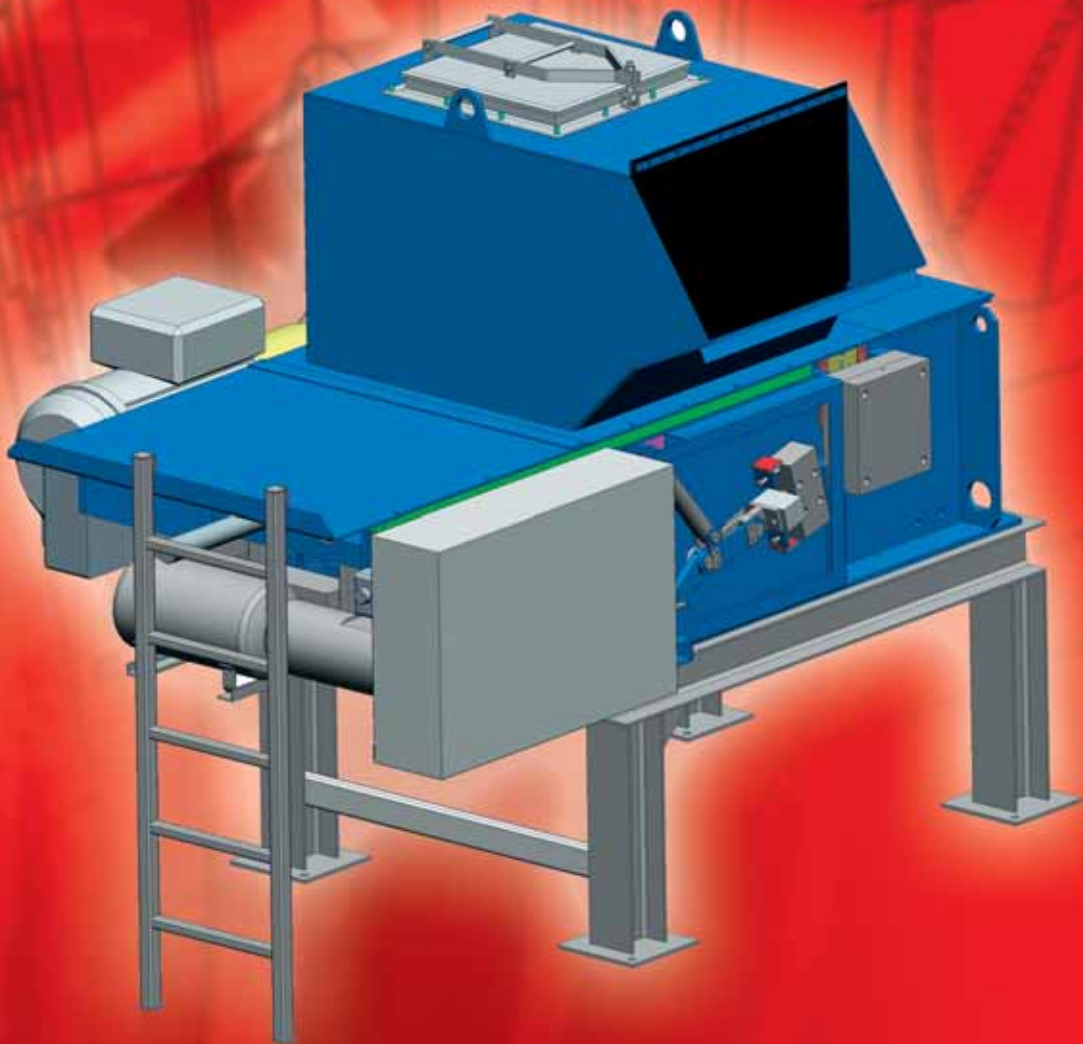


RM-L

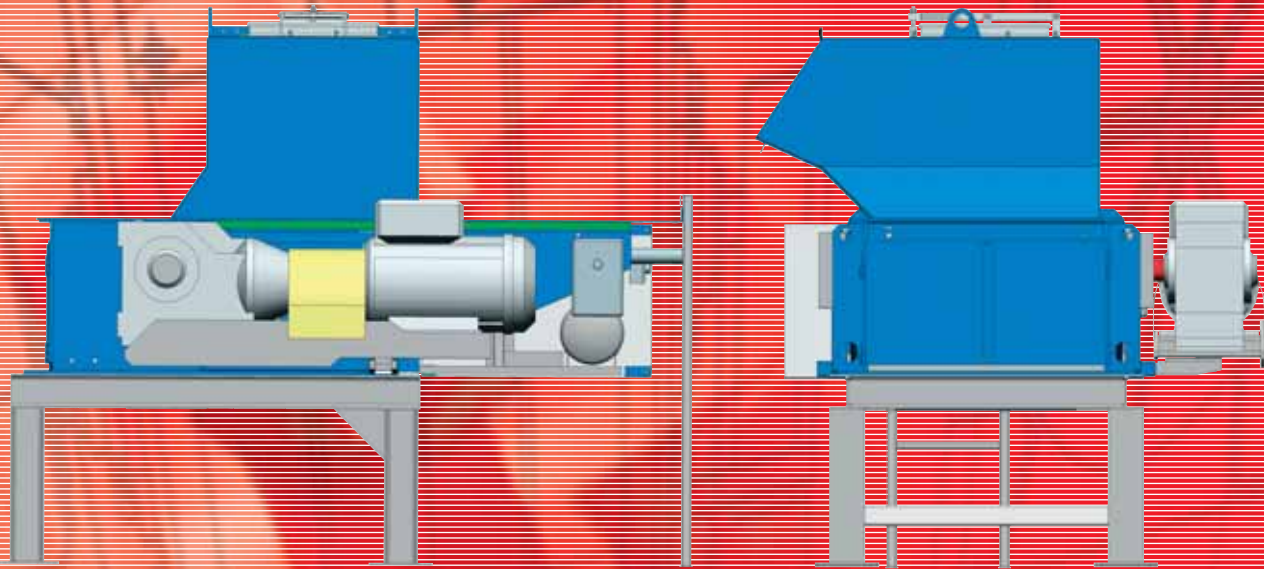
Low Speed Shredders



**Laitex Shredder suits for different
recycling materials**

RM-L Shredders

Laitex Shredders can be used for: Wood based materials, Paper and plastic wastes, Cables, Electronic waste, Bio waste, etc.



Technical information:

	RML 360	RML 480
Rotor (dia. x width)	360 x 900 ... 1250	480 x 1500
Power (kW)	30 ... 45	55 ... 90
Capacity (m ³ /h)	10 ... 20	20 ... 40
Inlet (mm)	900 x 900 ... 1250	1600 x 1500
Weight (kg)	3000	6500

Other sizes on request.

Laitex Shredders are equipped with reversible and convertible knives. Shredder can be equipped with screen to specify particle size. Both size are equipped with hydraulic horizontal material pusher. Supporting structures and feeding chutes are design for fill up customers needs.



LAITEX OY
Yhteistyökatu 13
FIN-53300 LAPPEENRANTA
Tel. + 358 20 161 3300
Fax. + 358 20 161 3350
Email: sales@laitex.fi
Web pages: www.laitex.fi