

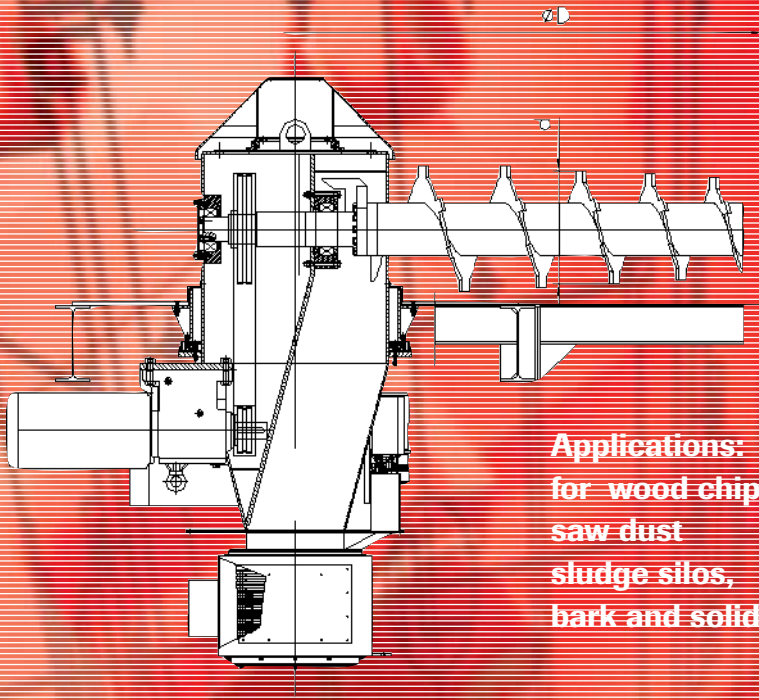
LRP

Rotating Screw discharger

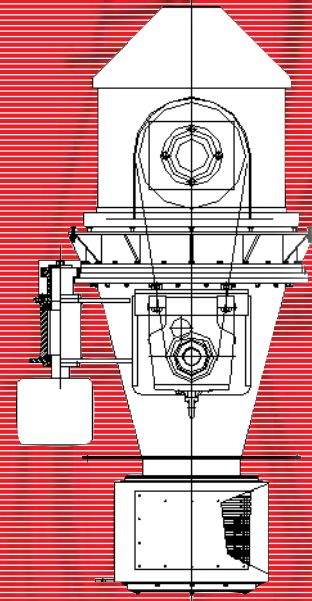


**Laitex Screw Dischargers are reliable,
secure in operation, need of service and
maintenance is low.**

LRP - Rotating Screw Discharger



Applications:
for wood chips
saw dust
sludge silos,
bark and solid fuel silos etc.



Capacity values are calculated with rotation of 30 rpm.
Final rotation is chosen based on the material characteristics.

srew dia. mm	capacity Q m ³ /h	power kW	silos dia. mm
400	40	... 11	... 4
500	80	... 22	... 5
600	160	... 45	... 7
700	230	... 75	... 8

Technical information:

Material:	Carbon steel, heat resistant steel, different stainless -and acid-proof steels
Drive unit:	Gear motor with open chain transmission or hollowshaft gear motor Circulation with constant torque gear motor or frequency transformer technique Turning bearing with tooth rim Spherical roller bearings at main shaft
Current feed:	Via slip-ring
Lubrication:	Automated
	Hard welded spiral, or wear coated
Accessories:	LAITEX SC-10, zero speed switch Blockage sensor Extra cooling fan



LAITEX OY
Yhteistyökatu 13
FIN-53300 LAPPEENRANTA
Tel. + 358 20 161 3300
Fax. + 358 20 161 3350
Email: sales@laitex.fi
Web pages: www.laitex.fi